

DOWN LIGHT

SERIES KMR16 (GU10)



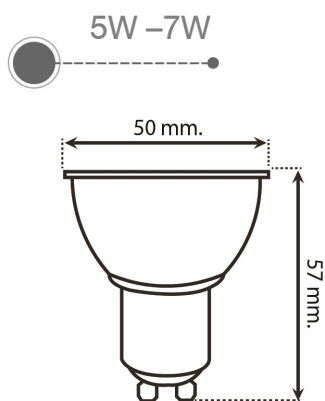
◆ Scope of Application

Accent Lighting, General Lighting,

◆ Hallway Lighting, etc. Indoor use only

Non-scaled fixture only, Improper use

◆ will result voided warranty



Parameter	Value			
Model	KMR015W10	KMR017W10	KMR025W10	KMR027W10
Rate Power	5W	7W	5W	7W
Luminous Flux	450lm	630lm	450lm	630lm
Luminous Efficiency	>90lm/w			
LED Chip	COB/SMD			
Color Temperature	CCT 2700K/3000K/4000K/6000K			
Color Rendering Index	>80 Ra			
Input Voltage	AC 220-240V, 50/60Hz		AC 185-265V, 50/60Hz	
Power factor	> 0.5			
Beam Angle	25° / 40°			
Work Temperature	-40°C to +50°C			
Work Life	>20,000 Hours			
Dimensions	50*57 mm			

KMR-01 = DIMMABLE
KMR-02 = NON-DIM